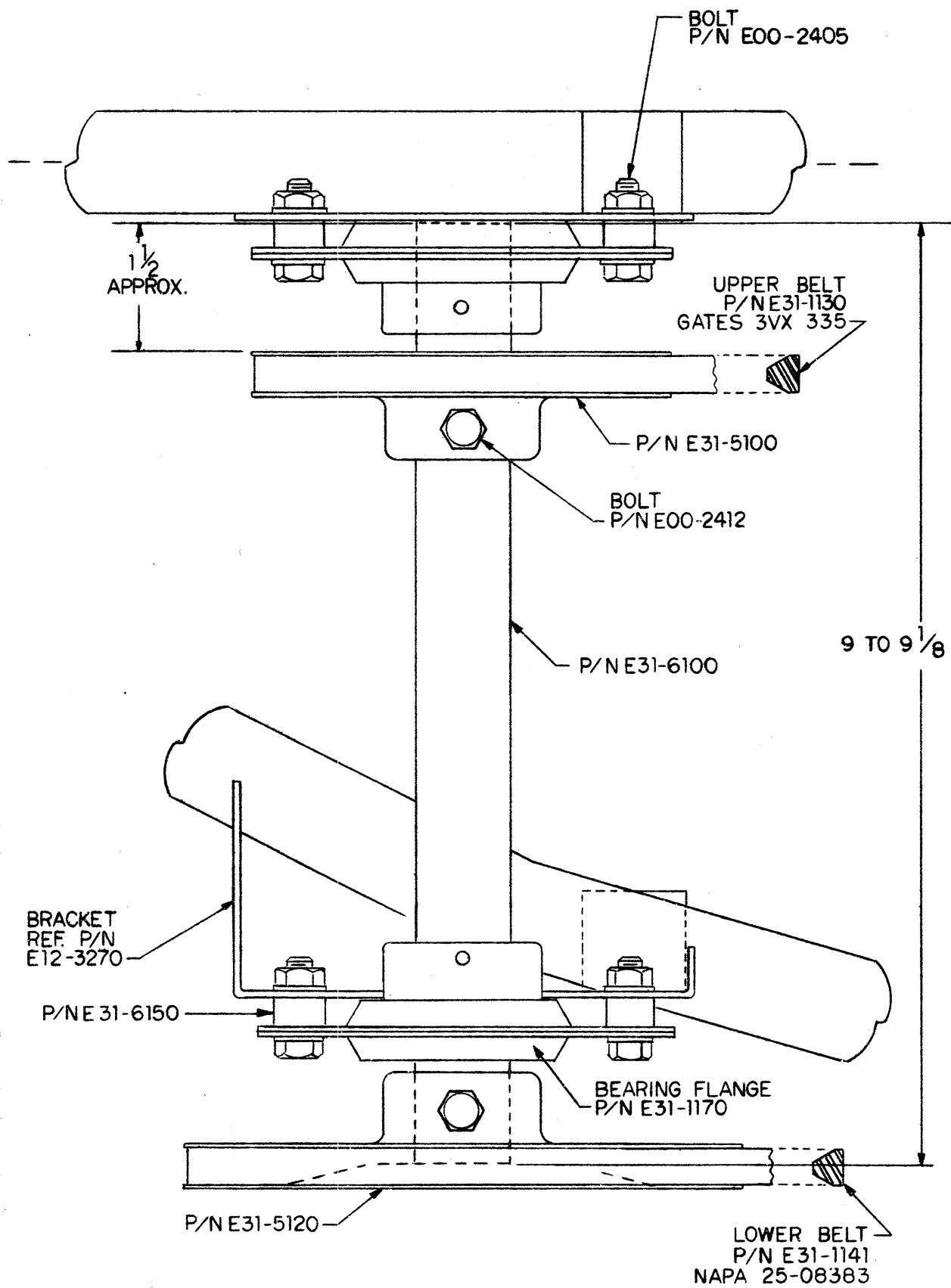
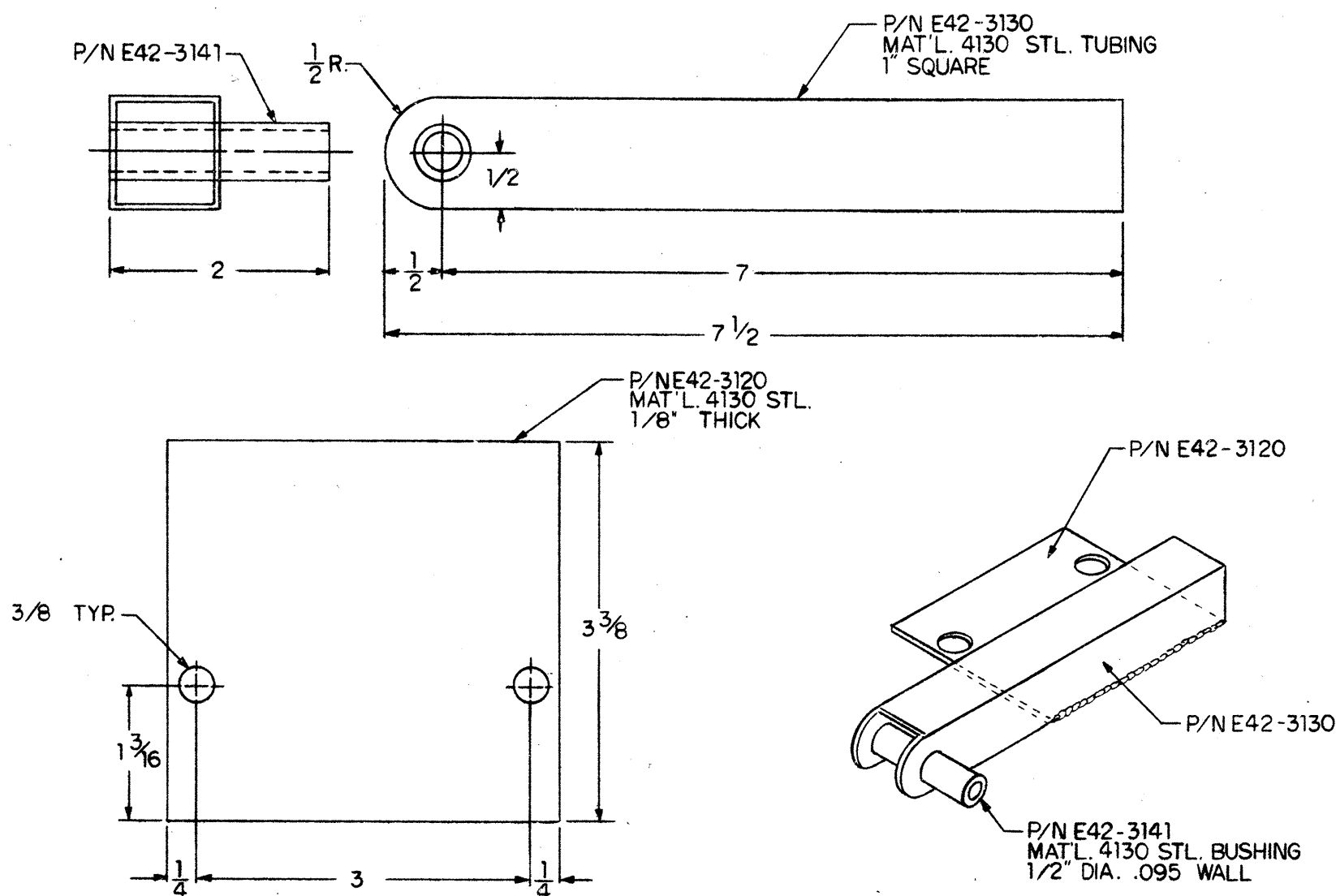


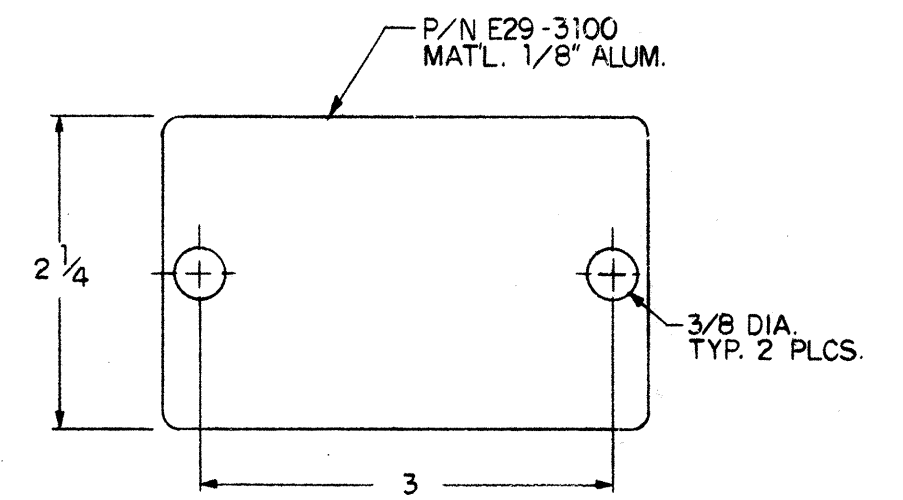
FAN DRIVE COUNTERSHAFT



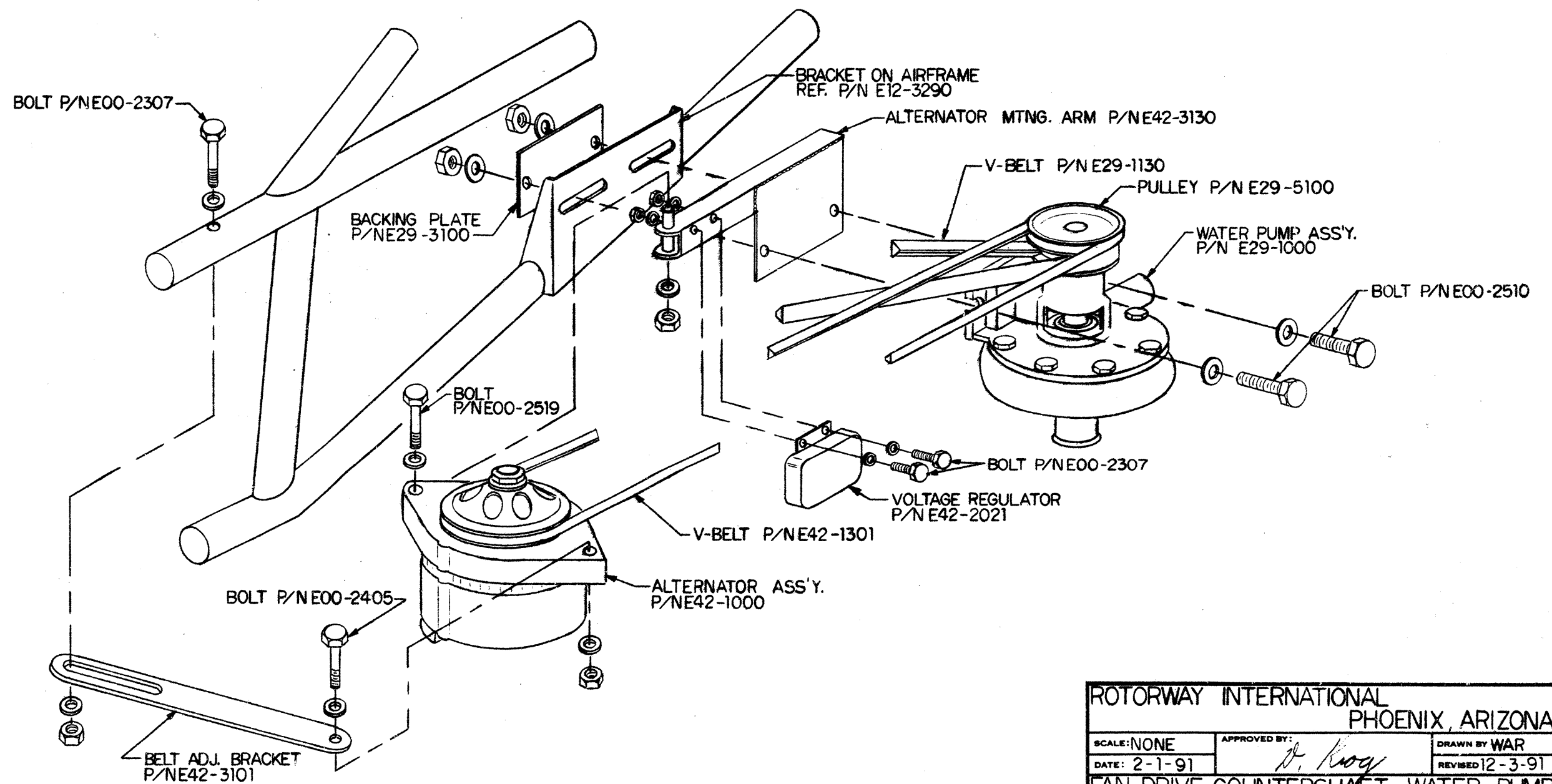
ALTERNATOR MOUNTING BRACKET



WATER PUMP BACKING PLATE



WATER PUMP AND ALTERNATOR MOUNTING



ROTORWAY INTERNATIONAL PHOENIX, ARIZONA		
SCALE: NONE	APPROVED BY: <i>H. Kooy</i>	DRAWN BY: WAR
DATE: 2-1-91		REVISED 12-3-91
FAN DRIVE COUNTERSHAFT; WATER PUMP AND ALTERNATOR MOUNTING		
12-3-91 REVISION 2: ARM E42-3130 WAS 6 5/8" LONG 5-8-91 REVISION 1: RELOCATE PLATE E42-3120		DRAWING NUMBER E31-2000-2